



A Benny Lee Company

PRODUCT USER GUIDE

LPBC-25

Battery Backup Modules

Owners Guide

(These instructions are intended for use by a technician familiar with electronic products)

- LPBC-25 provides dual diode isolation and float charge battery maintenance.
- LPBC-25 can be used with any 13.8 or 27.6 Volts DC power supply
- Use LPBC-25 for LP-10, LP-14, LP-18 or LP-25
- 3 year warranty



DESCRIPTION

The LPBC-25 battery backup module is designed for LP series and the unit automatically provides float charge, battery maintenance when power is restored. Dual shottky diodes provide protective isolation and seamless transfer to battery when power goes down. No relays to fail.

SPECIFICATIONS

Input Voltage range	10 - 30 VDC
Current Capacity	20 Amps
Output Voltage to Load	13.4 VDC or 27.2 VDC
Output Current to Battery Input.....	0.5 - 3.0 Amps
Isolation	Heavy Duty Schottky Diodes
Working Temperature range	-4 - 140 F (-20 - +60 C)
Storage Temperature	-40 - 185 F (-40 - +85 C)
Size	5H x 2W x 4D inches, nominal

INSTALLATION

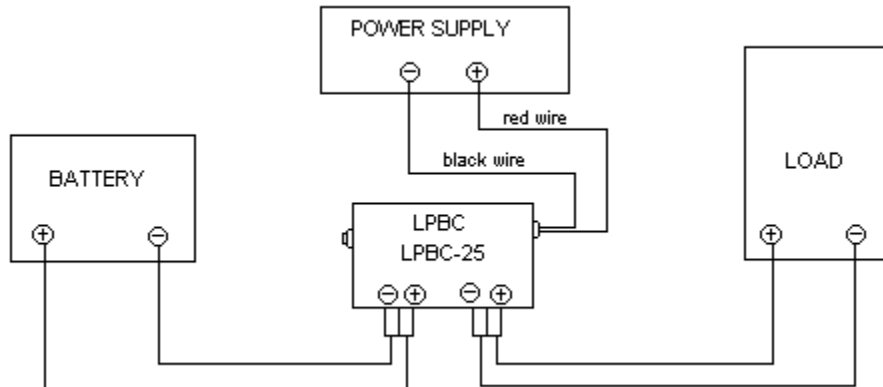
NOTE: The individual user should take care to determine, prior to use or installation, whether this device is suitable, adequate or safe for the use intended. Since individual applications are subject to great variation, DuraComm makes no representation or warranty as to the suitability, or fitness of these units for any specific application.

NOTE: The LPBC-25 internal charge controlling resistor values, (0.5 ohm 50 watt) are based on using a 100 Ah deep cycle marine type battery. If a different type of battery is used, the float charge current must be measured and the values of the resistors adjusted to provide a charge rate equal to 1-2% of the battery Ah capacity.

PRECAUTIONS: Be certain to locate the battery in a ventilated area. During recharging, small quantities of hydrogen gas may be produced. Hydrogen gas is highly flammable and under the right conditions, explosive.

LPBC-25 WIRING LAYOUT

This system setup, using LPBC-25, will provide battery float charging when the AC power is on, and a seamless transfer of the load to the battery when the AC power goes off.



Wire according to the diagram, carefully observing polarity, and using wire large enough for the amperage capacity of your system.

CONDUCTOR PRETREATMENT

All kinds of copper conductors can be clamped without treatment. **DO NOT** solder tin stranded conductors. The solder yields and fractures under high pressure. The result is increased contact resistance and excessive temperature rise. Additionally, corrosion has been observed due to the fluxes. Notch fractures at the transition from the rigid tinned part to the flexible conductors are also possible. Ferrules can be used as a protection when wiring stranded conductors. Copper ferrules prevent the current transfer from being influenced by dissimilar metals and remove the risk of corrosion. Always use the correct tool to crimp the ferrule.

RECOMMENDED COPPER WIRE SIZE FOR CURRENT CAPACITY

(Insulated Wire, Single Conductor in free air)

<u>Current Level in Amperes</u>	<u>Wire Size</u>
<7 AMPERES	20 AWG Up to 5 feet 18 AWG Up to 10 feet
14 AMPERES	18 AWG Up to 5 feet 16 AWG Up to 10 feet
20 AMPERES	16 AWG Up to 5 feet 14 AWG Up to 10 feet
30 AMPERES	14 AWG Up to 5 feet 12 AWG Up to 10 feet
40 AMPERES	12 AWG Up to 5 feet 10 AWG Up to 10 feet
50 AMPERES	10 AWG Up to 5 feet 8 AWG Up to 10 feet
70 AMPERES	8 AWG Up to 5 feet 6 AWG Up to 10 feet
100 AMPERES	6 AWG Up to 5 feet 4 AWG Up to 10 feet

LIMITED WARRANTY

DuraComm warrants to the initial end user, each power supply manufactured by DuraComm to be free from defects in material and workmanship, when in normal use and service for a period of three years from the date of purchase, from an authorized DuraComm dealer.

Should a product manufactured by DuraComm fail or malfunction due to manufacturing defect, or faulty component, DuraComm, at its option, will repair or replace the faulty product or parts thereof, which, after examination by DuraComm, prove to be defective or not operational according to specifications in effect at the time of sale to the initial end user. The product that is replaced or repaired under the provisions of this warranty, will be warranted for the remainder of the original warranty period, only, and will not extend into a new three year warranty period.

The limited warranty does not extend to any DuraComm product which has been subject to misuse, accidental damage, neglect, incorrect wiring not associated with manufacture, improper charging voltages, or any product which has had the serial number removed, altered, defaced, or changed in any way.

DuraComm reserves the right to change, alter, or improve the specifications of its products at any time, and by so doing, incurs no obligation to install or retrofit any such changes or improvements in or on products manufactured prior to inclusion of such changes.

DuraComm requires any product needing in or out of warranty service to be returned to DuraComm. All requests for warranty service must be accompanied by proof of purchase, such as bill of sale with purchase date identified. DuraComm is not responsible for any expenses or payments incurred for the removal of the product from its place of use, transportation or shipping expenses to the place of repair, or return expenses of a repaired or replacement product to its place of use.

The implied warranties which the law imposes on the sale of this product are expressly LIMITED, in duration, to the three (3) year time period specified herein. DuraComm will not be liable for damages, consequential or otherwise, resulting from the use and operation of this product, or from the breach of this LIMITED WARRANTY.

Some states do not allow limitations on the duration of the implied warranty or exclusions or limitations of incidental or consequential damages, so said limitations or exclusions may not apply to you. This warranty gives you specific legal rights which vary from state to state.

This warranty is given in lieu of all other warranties, whether expressed, implied, or by law. All other warranties, including WITHOUT LIMITATION, warranties of merchantability and fitness or suitability for a particular purpose, are specifically excluded. DuraComm reserves the right to change or modify its warranty and service programs without prior notice.

DuraComm® Corporation

6655 Troost Avenue
Kansas City, MO 64131
Phone (816) 472-5544 Fax (816) 472-0959
www.duracomm.com